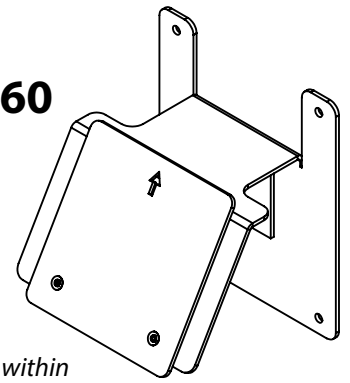


# MUSEUMSIGNS 60° Wall Bracket MS-WB60



Setting up your wall brackets to meet **ADA** and **NPS HFC** guidelines.

**ADA** and **NPS HFC** both stipulate that objects be mounted 27" or lower when they protrude more than 4" from the wall, unless there is bump out or other horizontal obstruction 27" or lower. Please consult with the applicable standard for further information.

*Every wall structure is different. When possible, mount to supporting studs/beams or to plywood support within the wall. If a solid stud or surface is unavailable, use the appropriate wall anchors for your application. Because every wall is different, we do not include hardware for the wall attachment process. Please acquire this locally.*

If desired, the MuseumSigns wall brackets can be painted to match your walls.

To meet these standards we have put together a mounting guide for you.

- Verify the size signage you will be using. (8.5, 11, or 16 inch)
- Mount the brackets to the wall using the below heights for reference.

## 16 Inch Tall Reader Rails

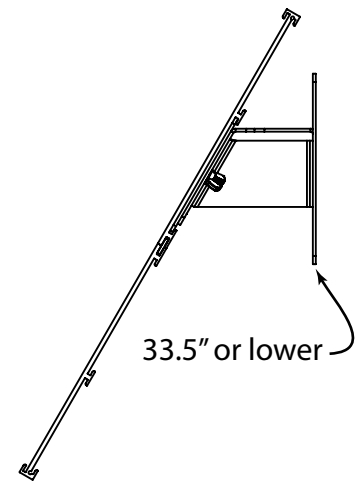
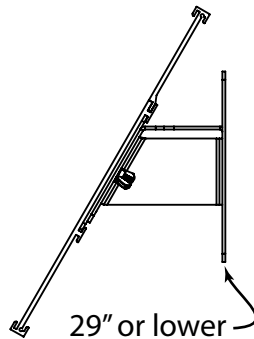
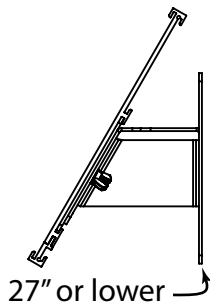
Mount the bracket 33.5 inches or lower to the bottom of the bracket.

## 11 Inch Tall Reader Rails

Mount the bracket 29 inches or lower to the bottom of the bracket.

## 8.5 Inch Tall Reader Rails

Mount the bracket 27 inches or lower to the bottom of the bracket.



1. Mount wall bracket(s) to the wall with appropriate hardware. Space, level and align brackets as needed.
2. Remove one end strip from the reader rail by removing the two screws with a #1 Phillips screwdriver. Keep the hardware in a safe space.
3. Remove both peel films from the acrylic cover and insert graphics behind the acrylic. Note that there are 2 different sides of the acrylic. The matte surface is intended to face out to provide an ADA compliant non-glare surface.
4. Remove mounting plate(s) from wall bracket(s). With the arrow on the mounting plate pointing to the top edge, insert the mounting plate(s) into the reader rail and space them similar to the wall bracket(s). Leave mounting plate(s) loosened.
5. Reinstall the end strip with the included Phillips screws.
6. With 2 or more people, lift the reader rail into place and insert the threaded studs of the mounting plate(s) through the corresponding mounting holes on the wall bracket(s).
7. Install and tighten the included wing nuts by hand. If needed, use pliers to tighten wing nuts further.
8. Adjust reader rail side to side, to the desired location.
9. Once located, tighten the mounting plate set screws with the included 5/64 Allen wrench to lock the reader rail into place.

ITEM NO.	PART NUMBER	DESCRIPTION	QTY.
1	MS-1105	Wall Bracket, Steel	1
2	MS-1106	Mounting Plate, Stainless Steel	1
3	MS-1107	Wing Nut, Zinc-Plated Steel	2
4	QC-1087	Set Screw, knurled, 8-32 x 3/16 ss	2

